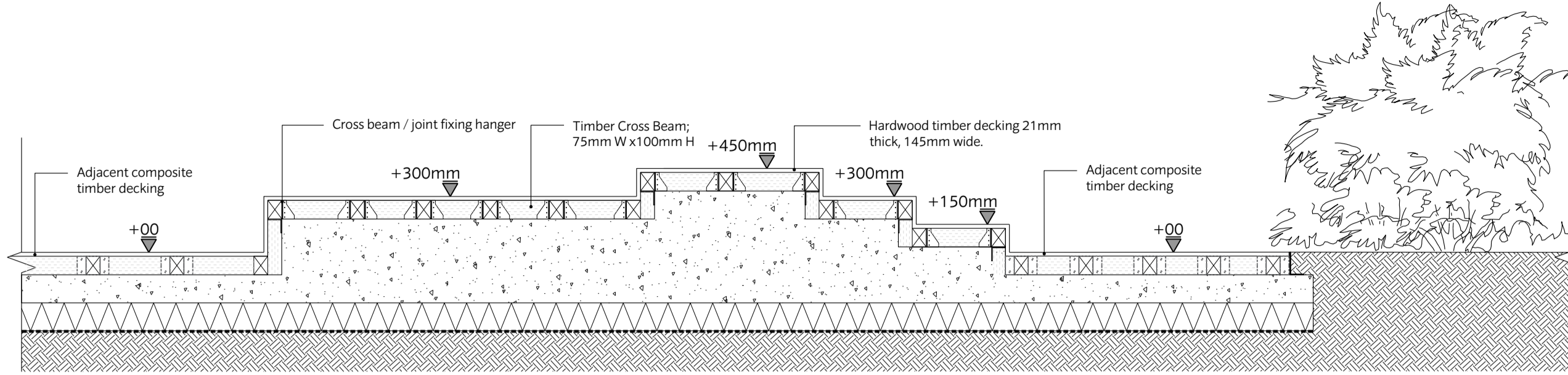


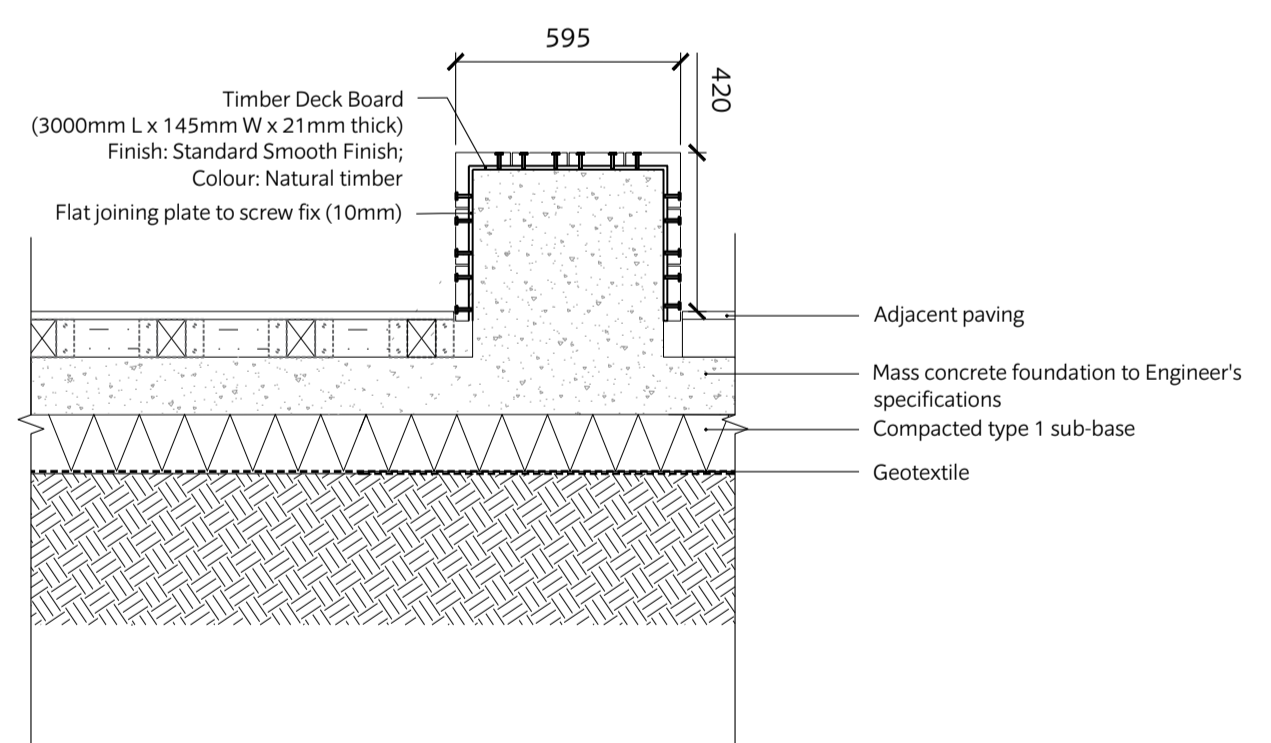
1 Bespoke Play Feature Plan
Scale: 1:50



2 Bespoke Play Feature Section
Scale: 1:25



3 Bespoke Play Feature - Reference Image



4 Bespoke Bench
Scale: 1:20

P2	12/11/20	AS	Revised submission Levels.
P1	28/02/20	PM	Revised Reserved Matters Application
SO	08/11/19	MA	Stage 3 Issue
Rev	Date	Drw	Revision or reason for Issue

CHRIS BLANDFORD ASSOCIATES
 landscape | environment | heritage
 The Print Rooms Studio 511 164/180 Union St Waterloo London SE1 0LH
 T +44 (0)20 7089 6480 E mail@cbastudios.com W www.cbastudios.com

Client	Castlefield International Limited		
Project Title	TEVERSHAM ROAD FULBOURN		
Drawing Series and Title	8000 SERIES Play Feature		
Scale @ A1	Drawn	Date	
AS SHOWN	MA	AUG 2019	
	Approved	Drawing Status	
	RB	FOR PLANNING	
Drawing number	TRF-CBA-1-GF-M2-L-8300	Revision	P2