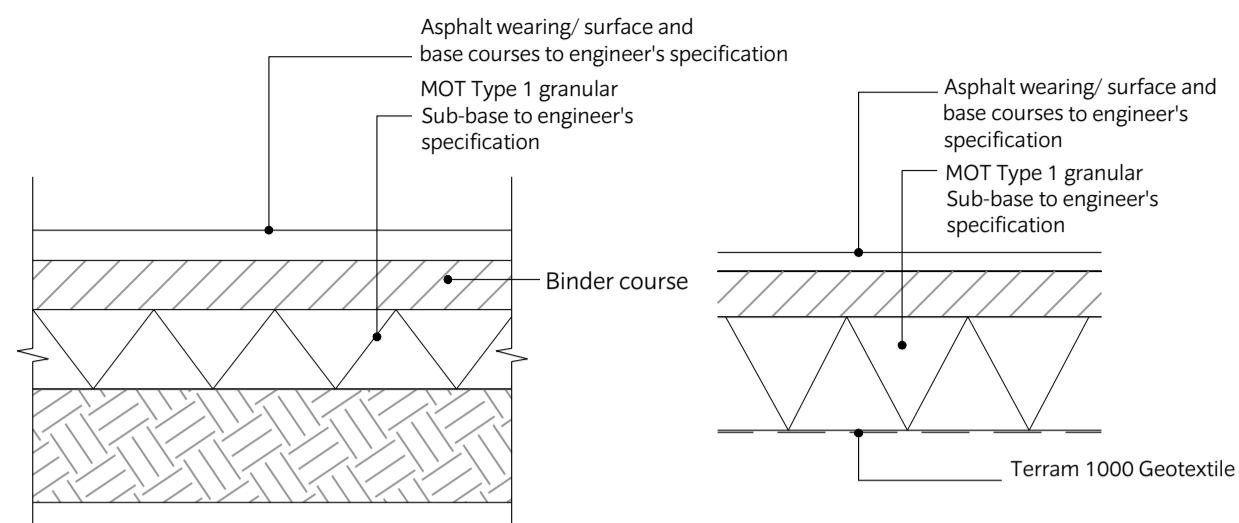
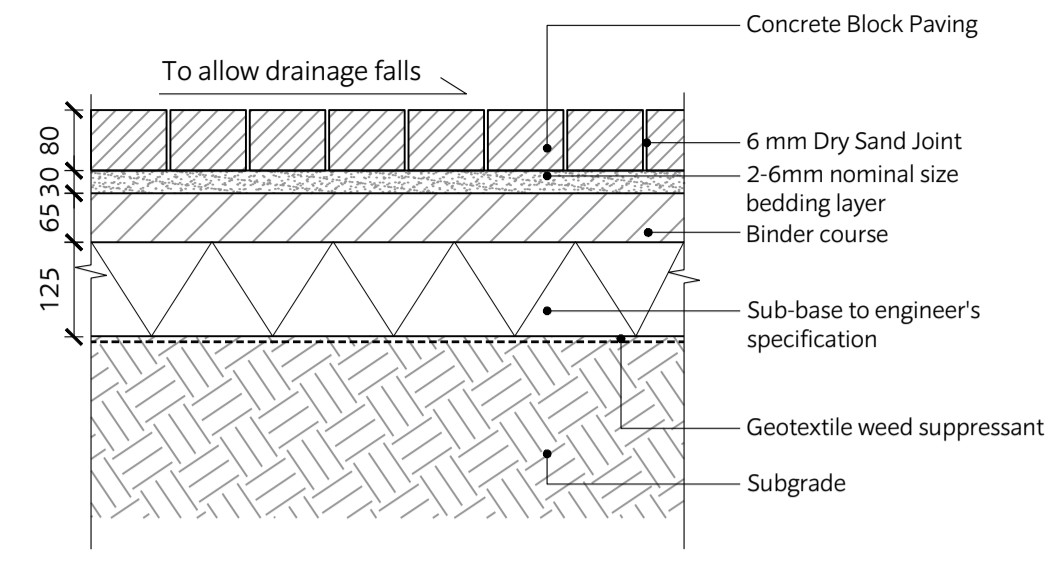


This document should not be relied on or used in circumstances other than those for which it was prepared and for which Chris Blandford Associates was commissioned. Chris Blandford Associates accepts no responsibility for this document to any other party other than the person by whom it was commissioned.

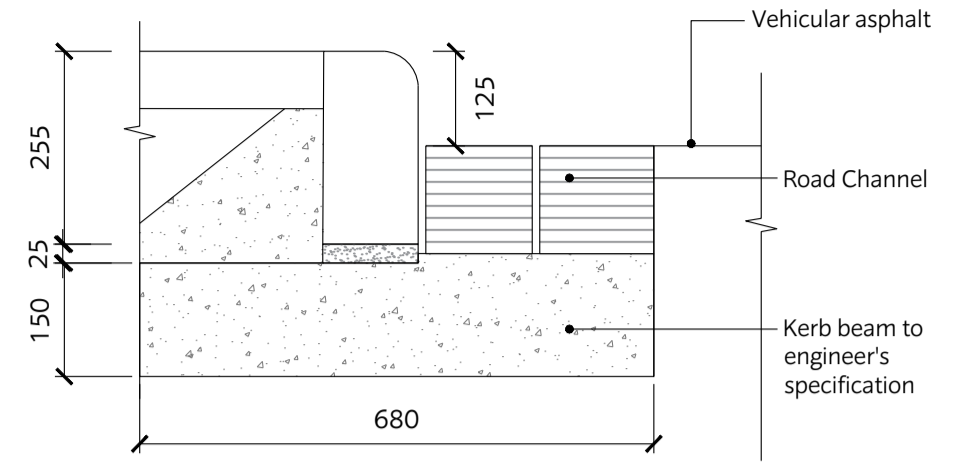


1 Vehicular Asphalt
Scale: 1:10

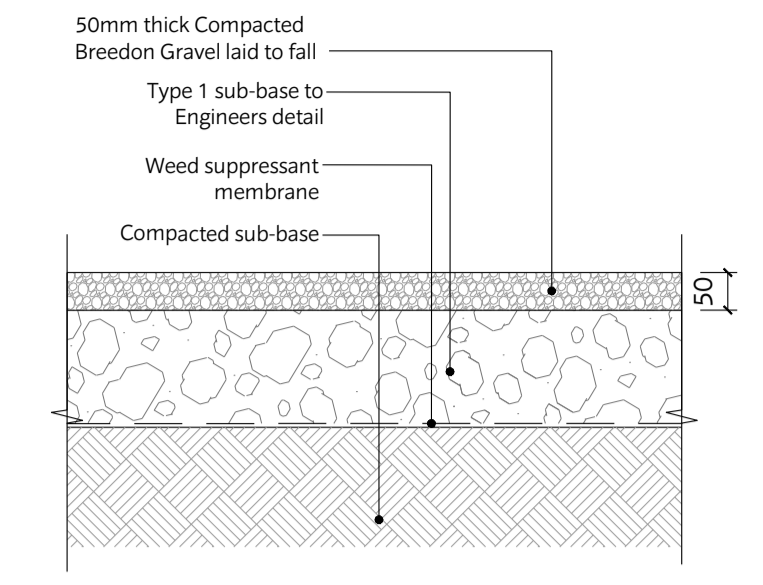
2 Pedestrian Asphalt
Scale: 1:10



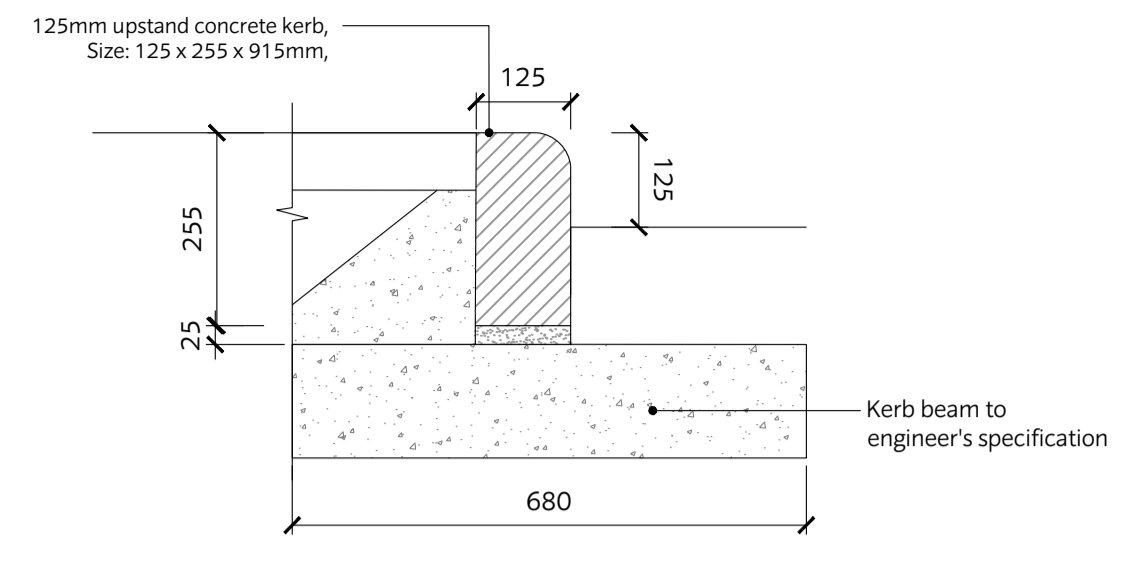
3 CONCRETE BLOCK PAVING
Scale: 1:10



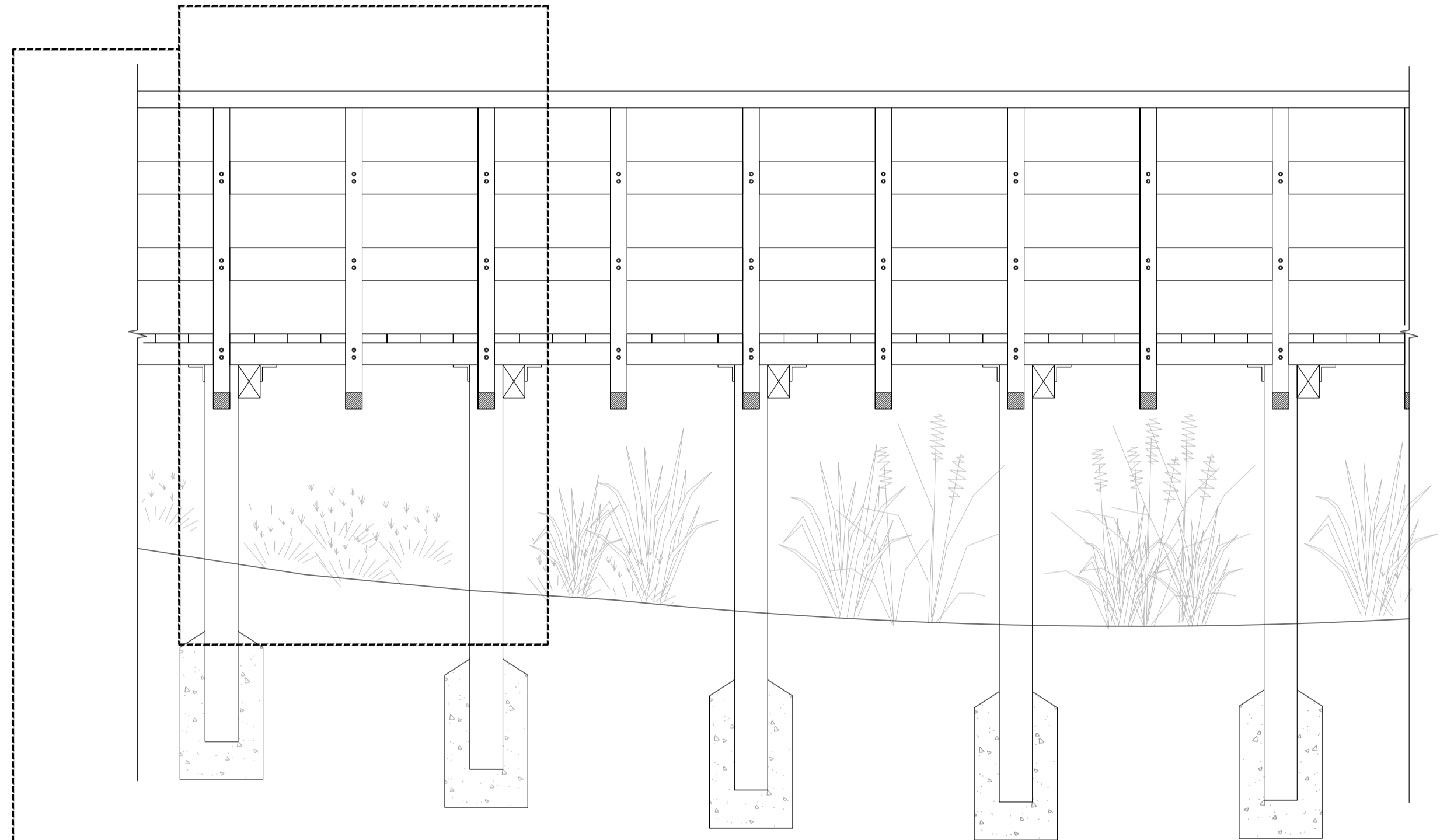
4 Road Channel Detail
Scale: 1:10



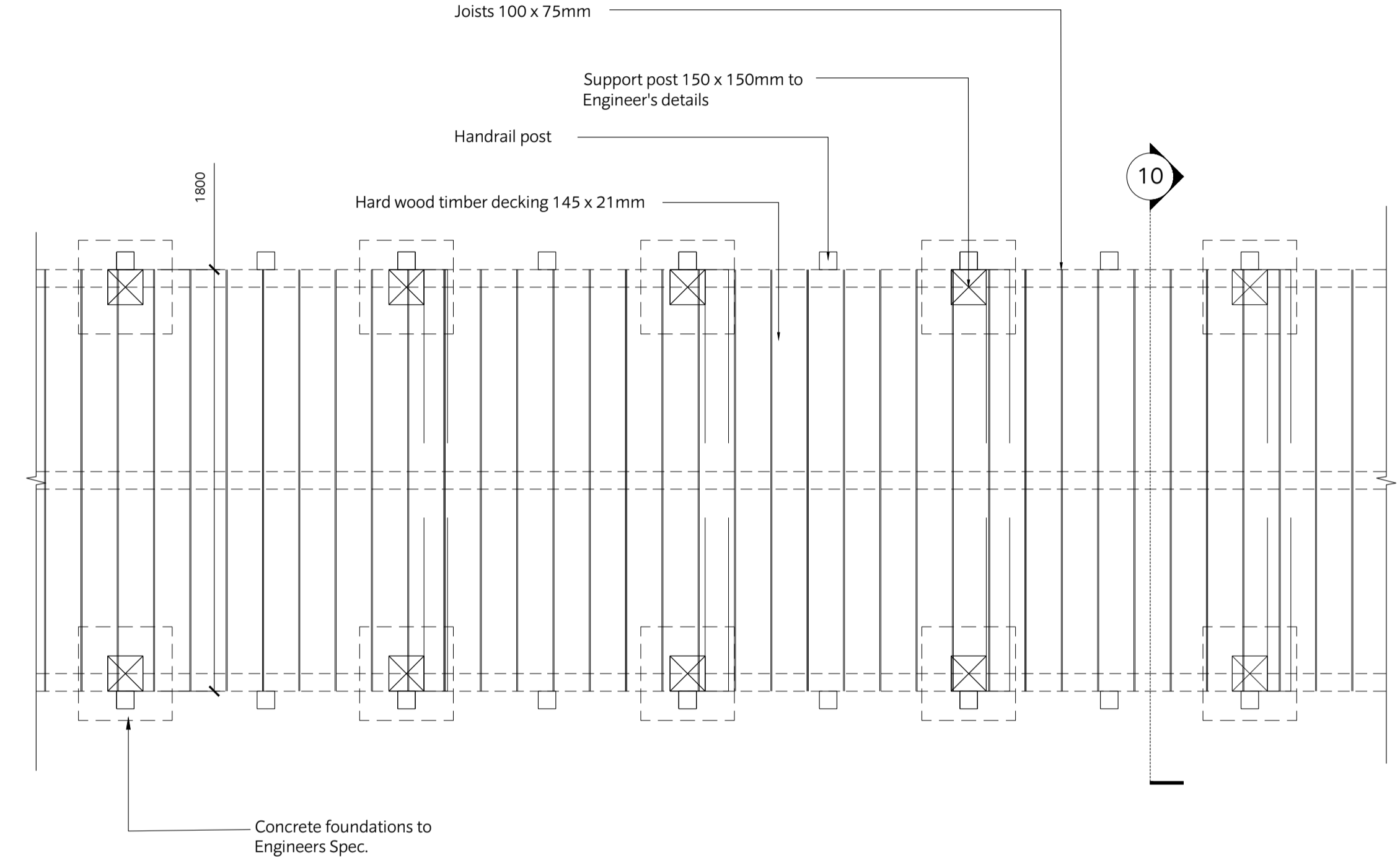
5 Breedon Gravel
Scale: 1:10



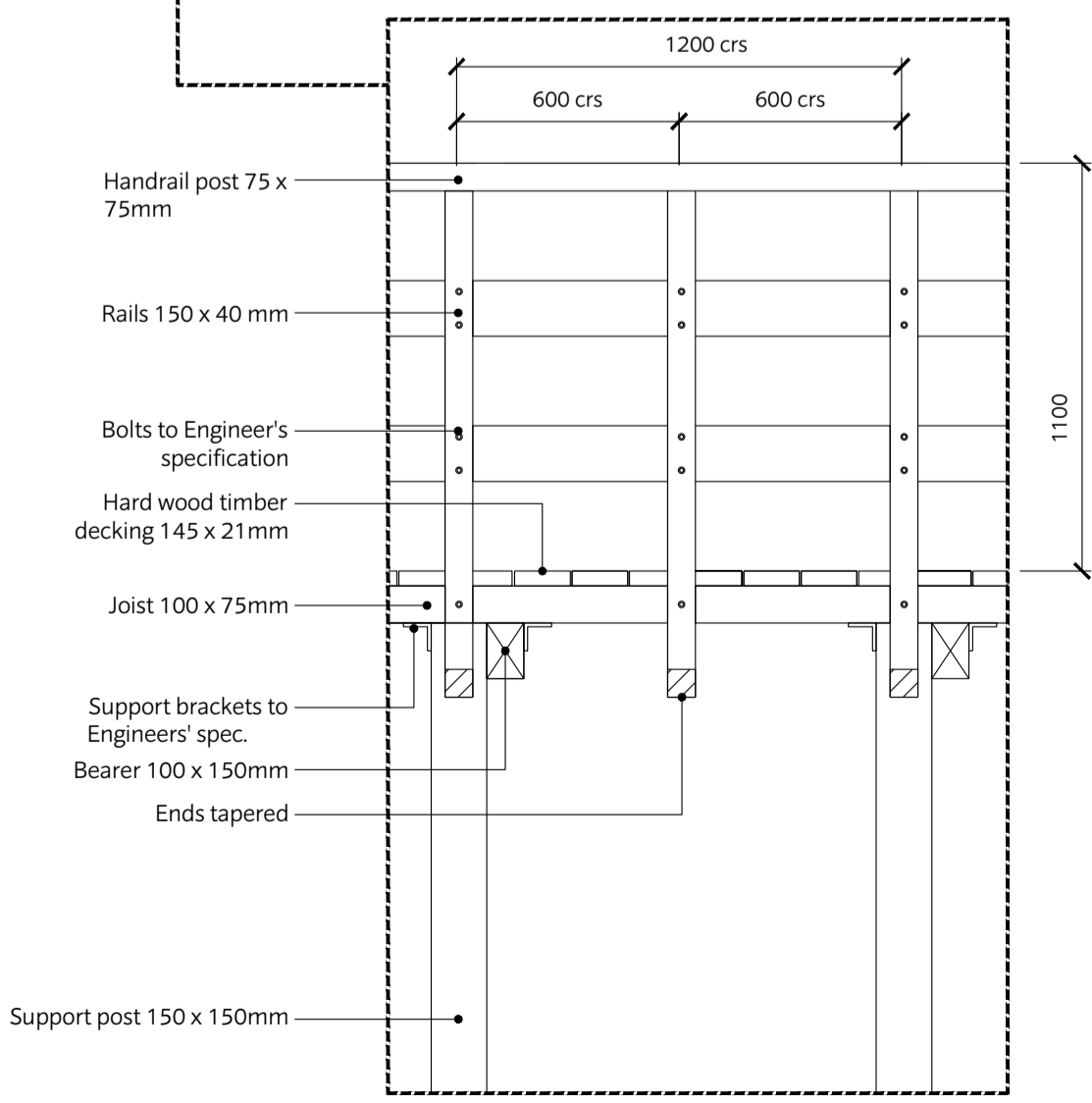
6 Precast Concrete Kerb to Front of Footpath
Scale: 1:10



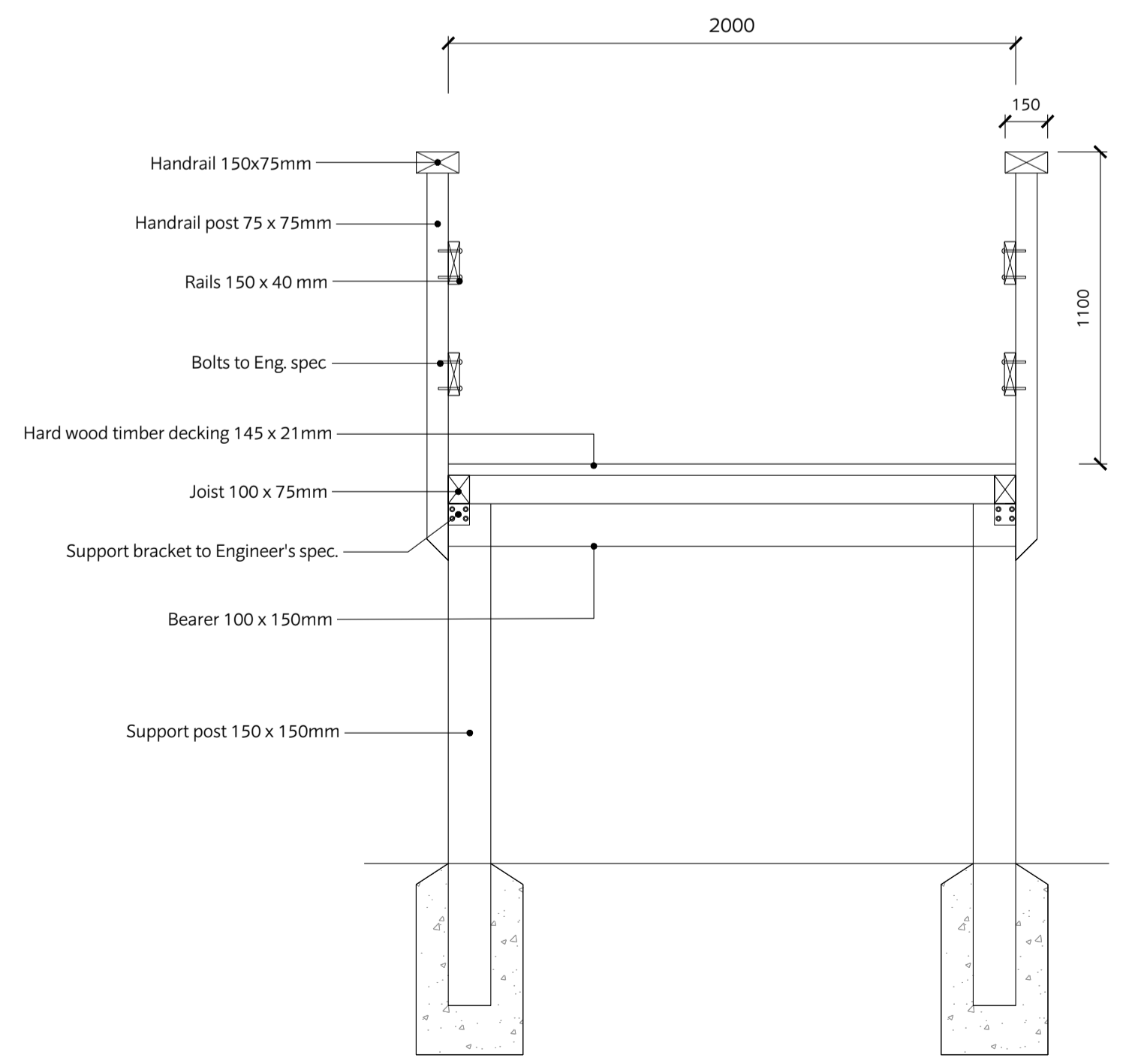
7 ELEVATION BOARDWALK
Scale: 1:20



8 PLAN BOARDWALK
Scale: 1:20



9 TYPICAL RAILING DETAIL
Scale: 1:20



10 TYPICAL BOARDWALK SECTION
Scale: 1:20

P1	06/09/19	SM	Issued for Planning
PO	23/08/19	WZ	Issued for Planning
Rev	Date	Drw	Revision or reason for Issue



CHRIS BLANDFORD ASSOCIATES
cba landscape | environment | heritage
The Print Rooms Studio 511 164/180 Union St Waterloo London SE1 0LH
T +44 (0)20 7089 6480 E mail@cbastudios.com W www.cbastudios.com

Client
Castlefield International Limited

Project Title
TEVERSHAM ROAD FULBOURN

Drawing Series and Title
**8000 SERIES
Hard Landscape Outline Details**

Scale @ A1
AS SHOWN
Drawn
WZ
Date
AUG 2019
Approved
RB
Drawing Status
FOR PLANNING

Drawing number
TRF-CBA-1-GF-M2-L-8000
Revision
P1