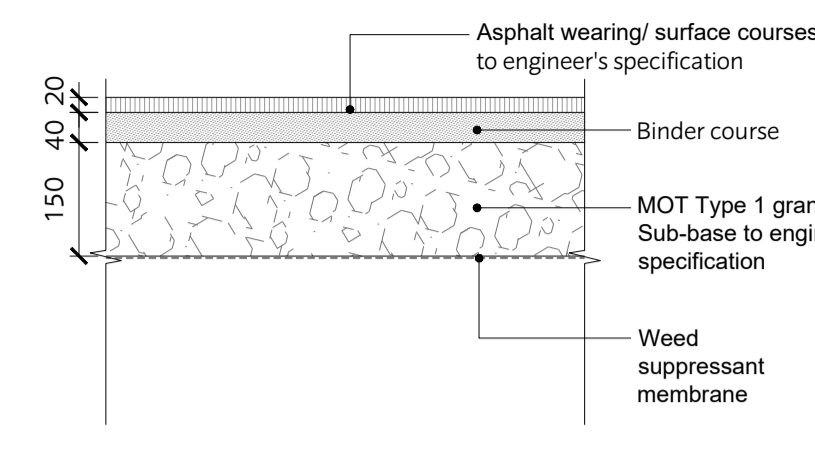
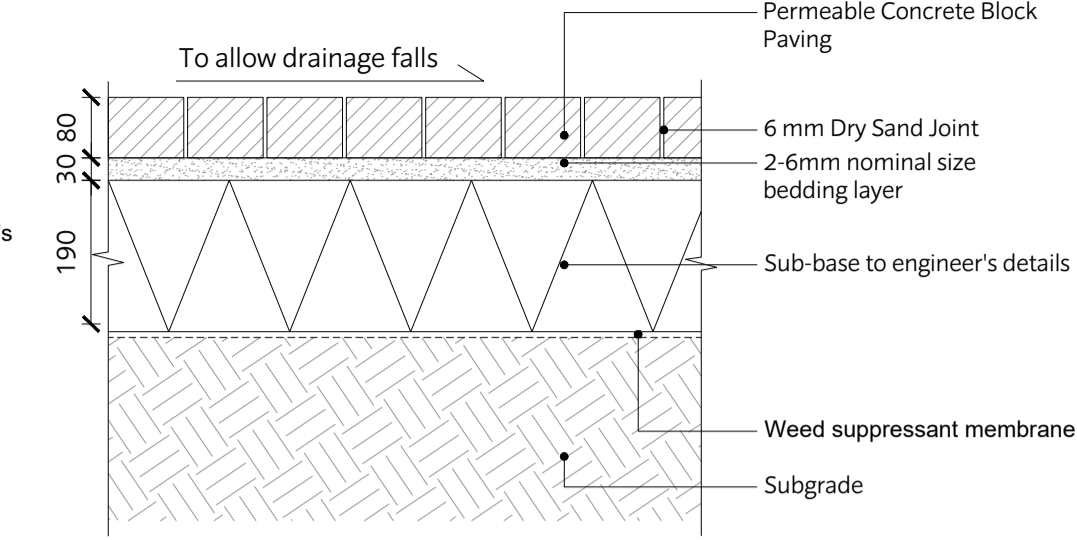


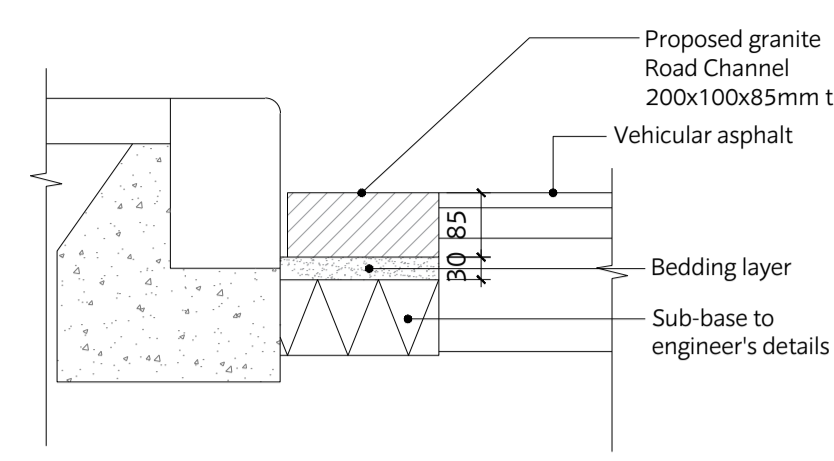
1 Vehicular Asphalt  
Scale: 1:10



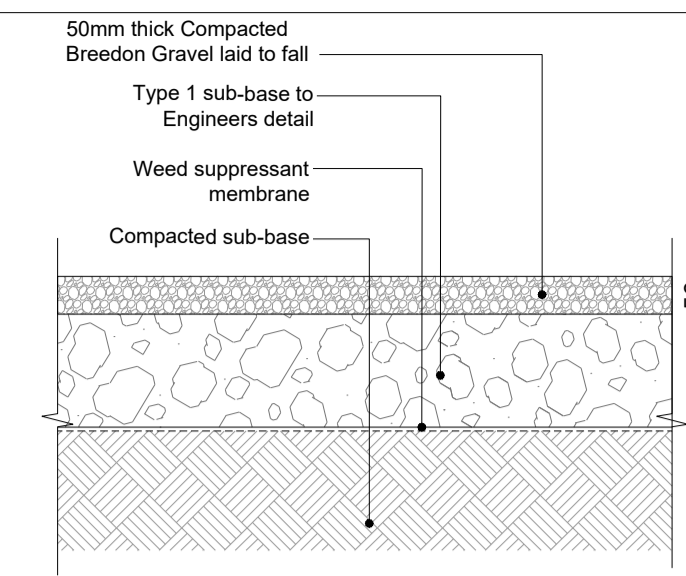
2 Pedestrian Asphalt  
Scale: 1:10



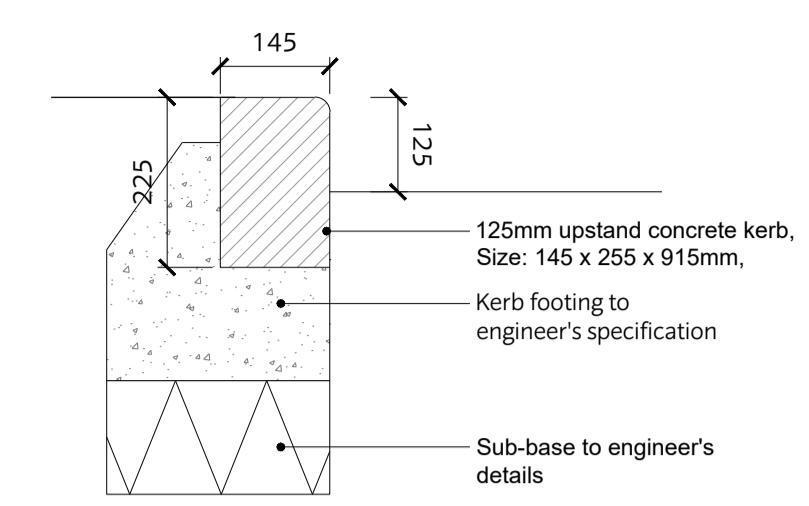
3 CONCRETE BLOCK PAVING  
Scale: 1:10



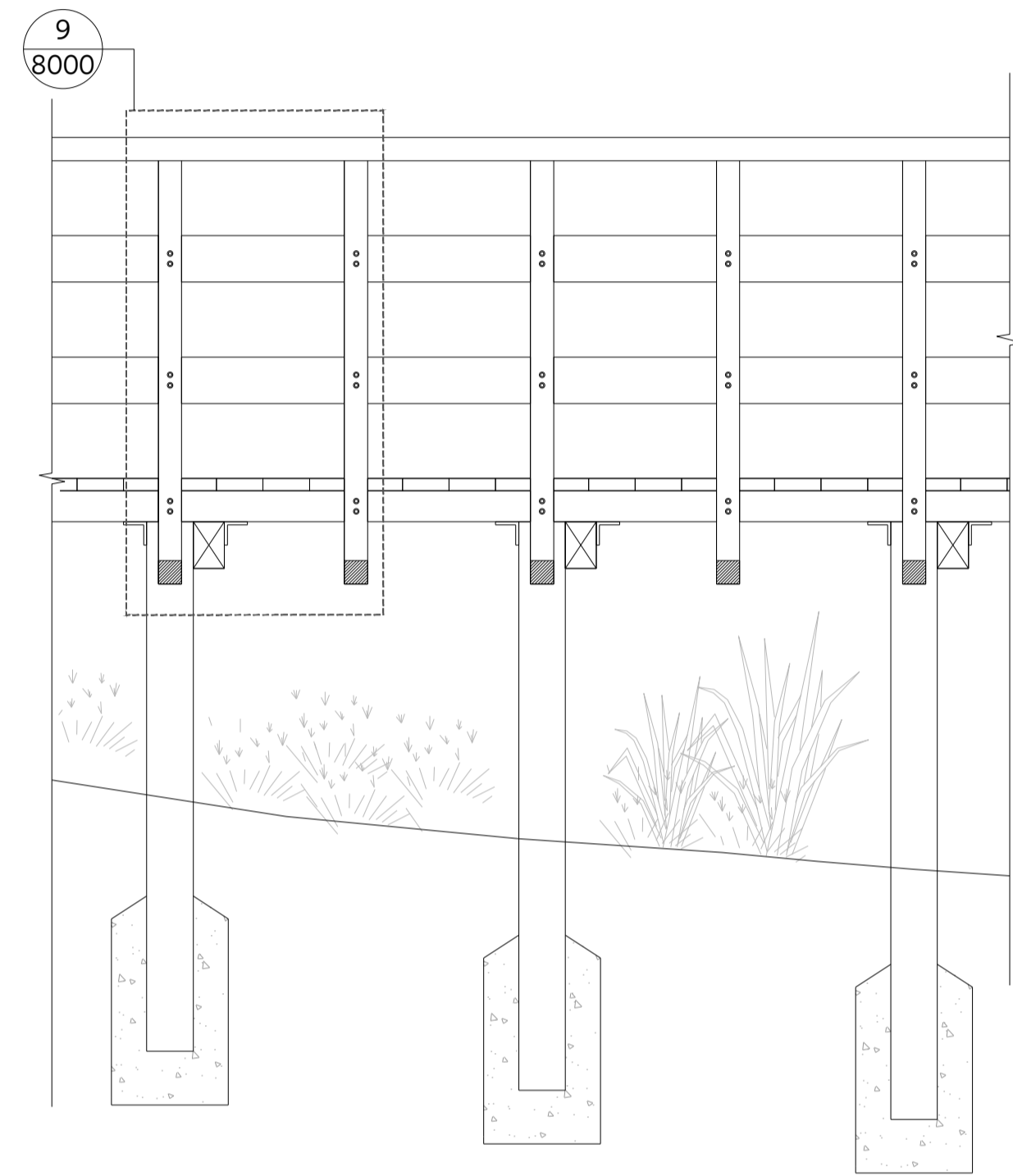
4 Road Channel Detail  
Scale: 1:10



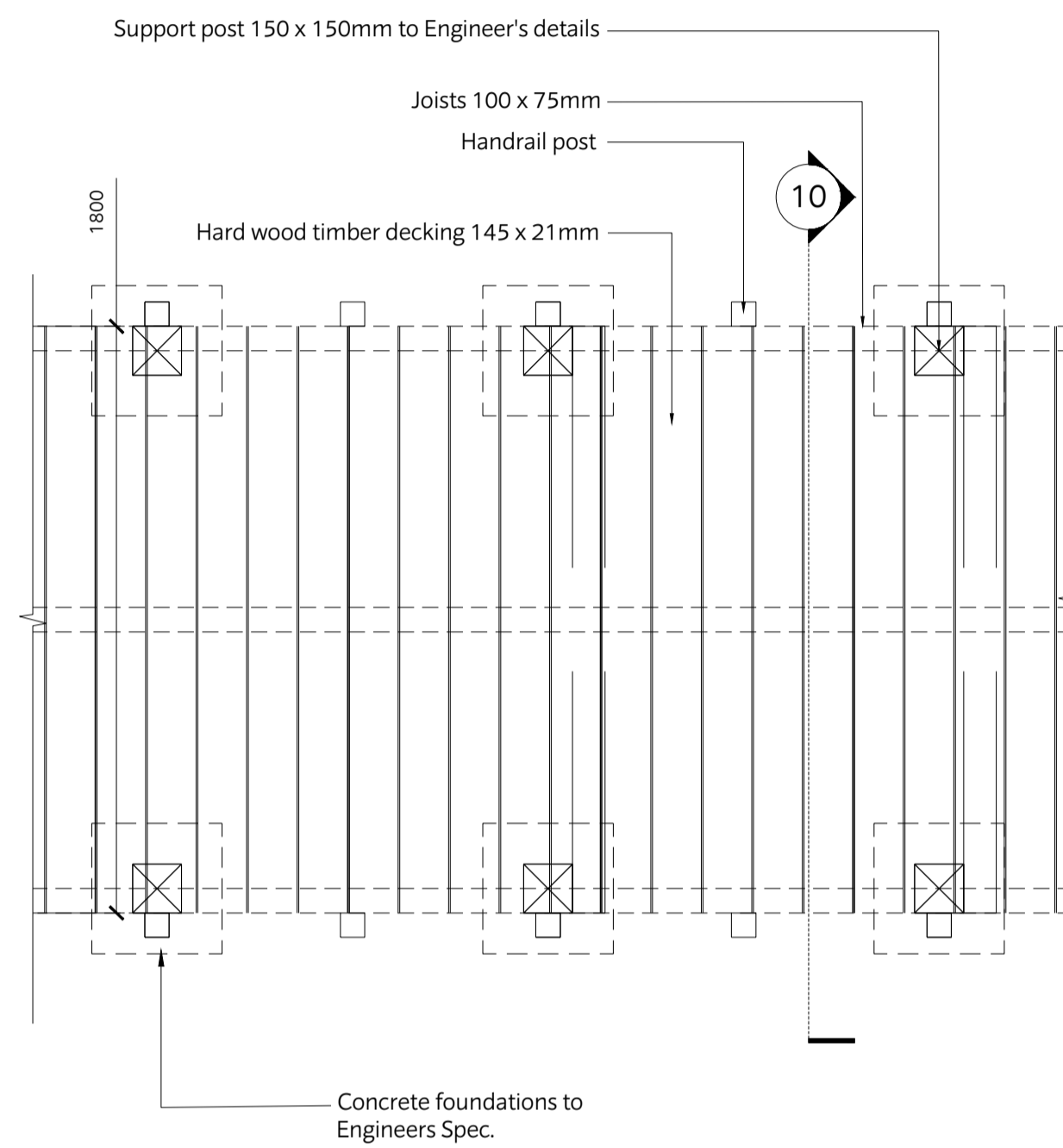
5 Bredon Gravel  
Scale: 1:10



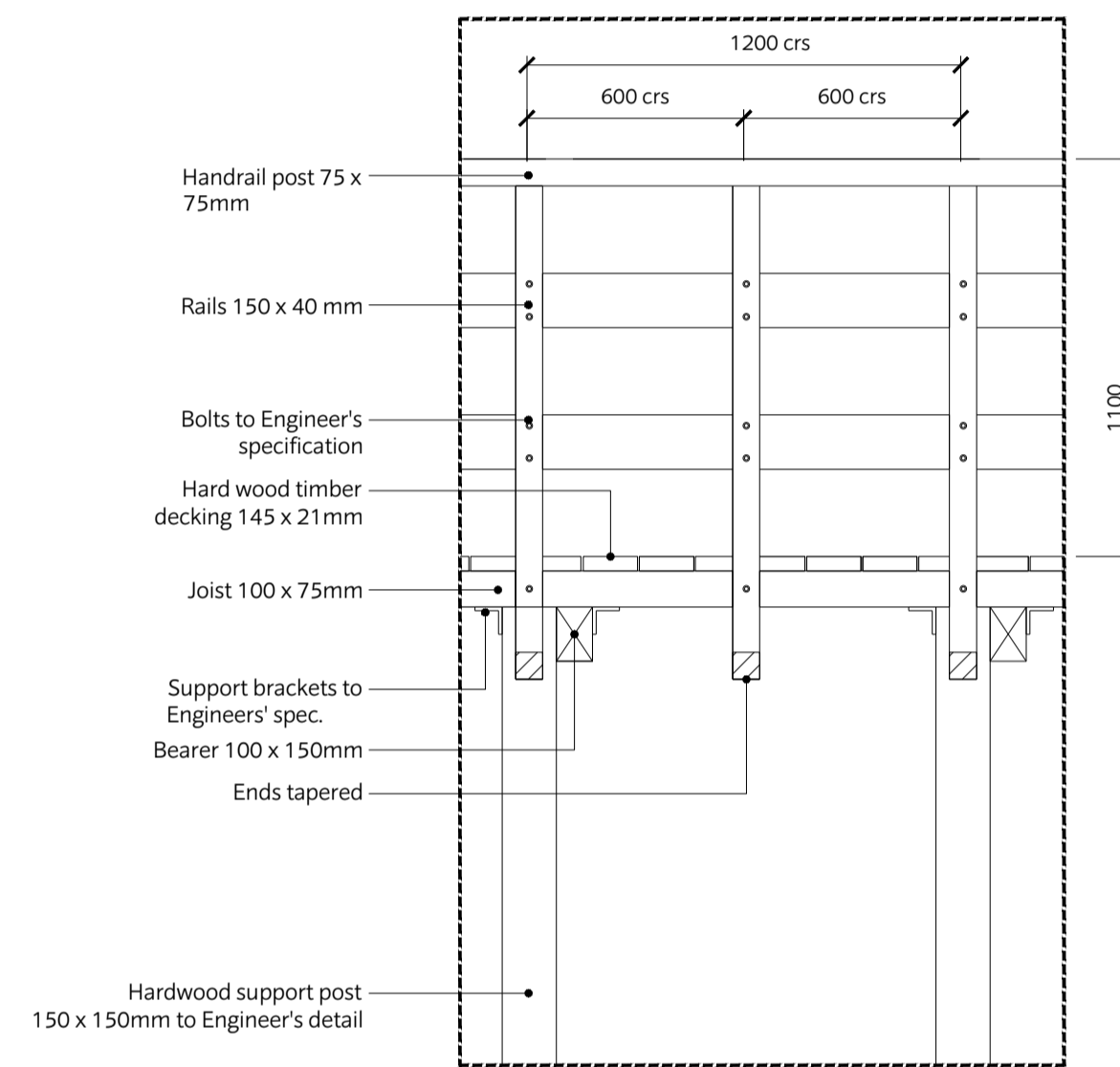
6 Precast Concrete Kerb  
TO FRONT OF FOOTPATH  
Scale: 1:10



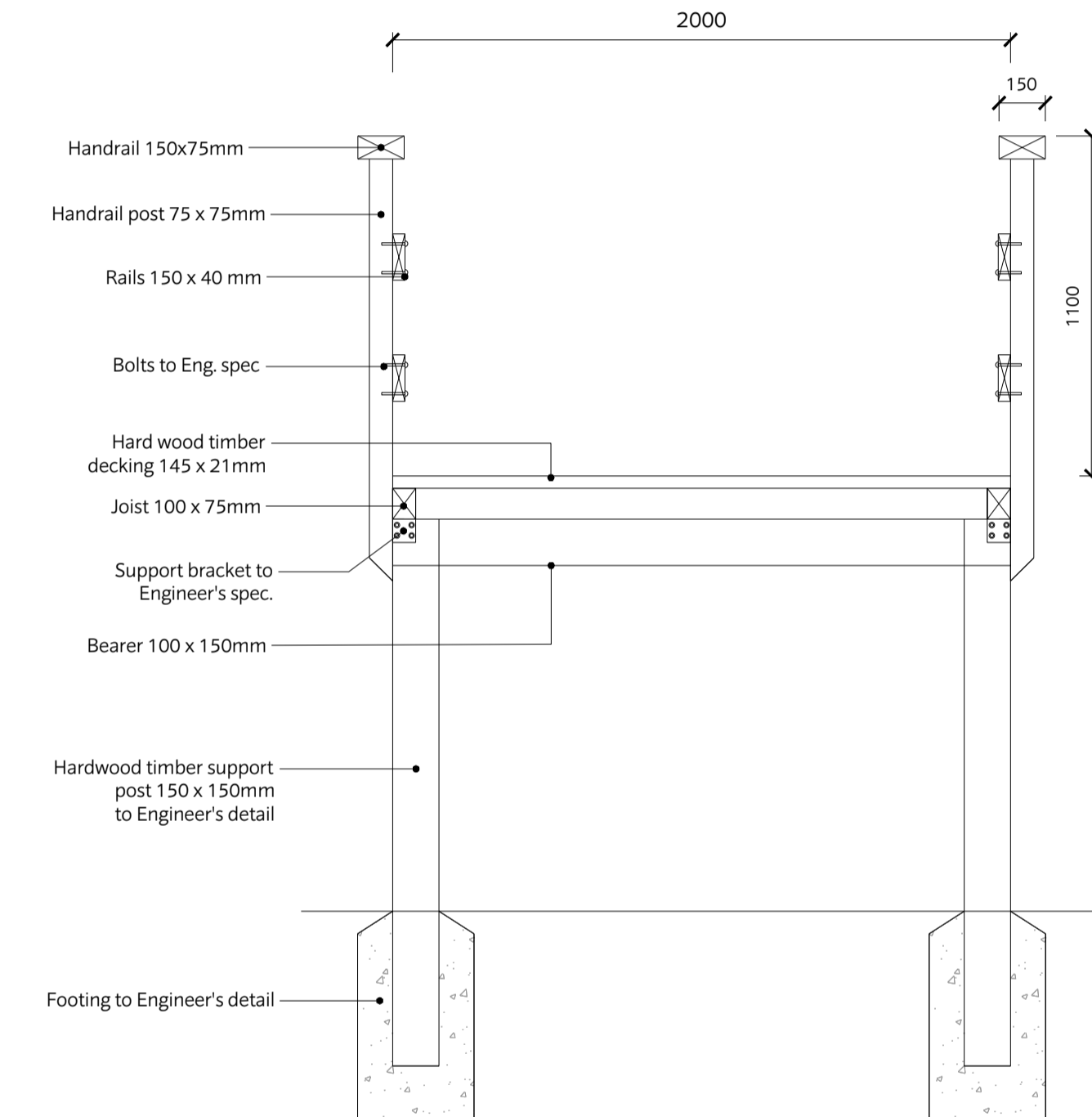
7 ELEVATION RAISED BOARDWALK  
Scale: 1:20



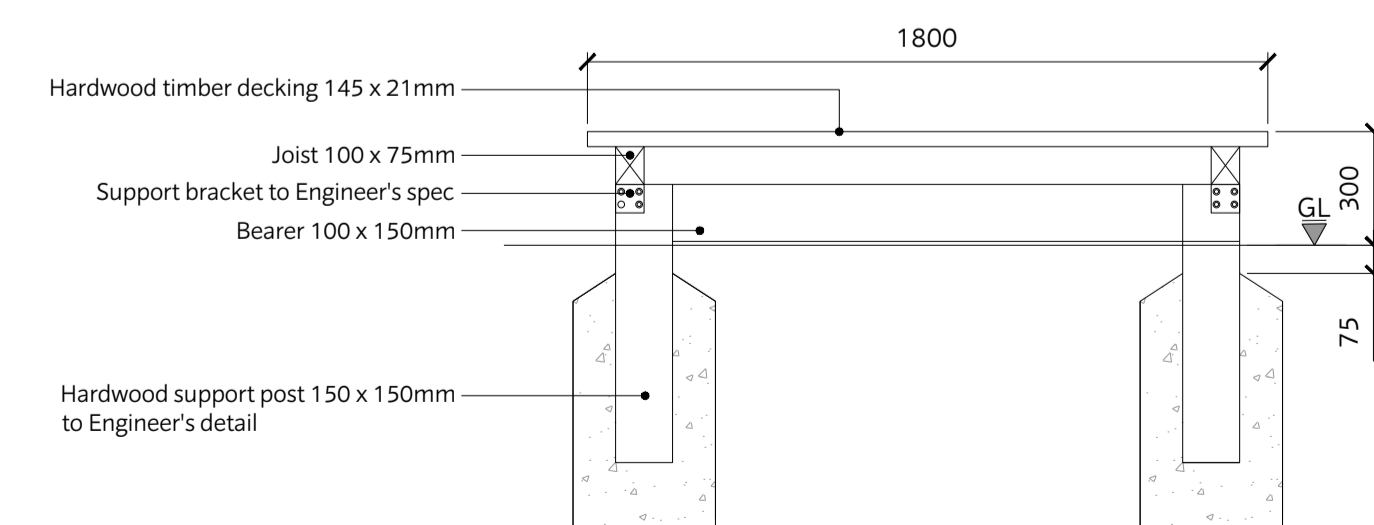
8 PLAN BOARDWALK  
Scale: 1:20



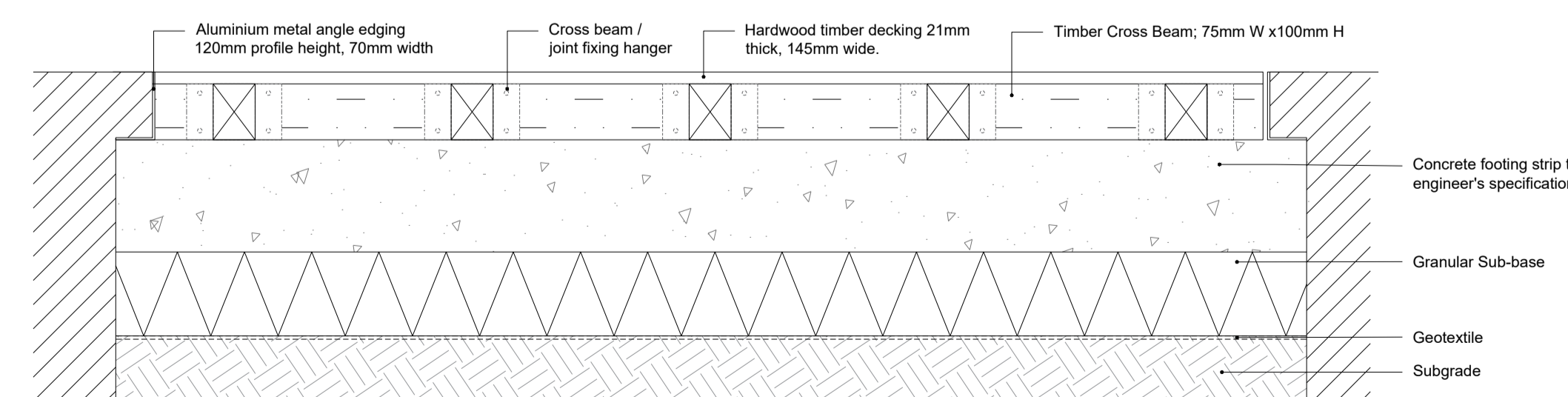
9 TYPICAL RAILING DETAIL  
Scale: 1:20



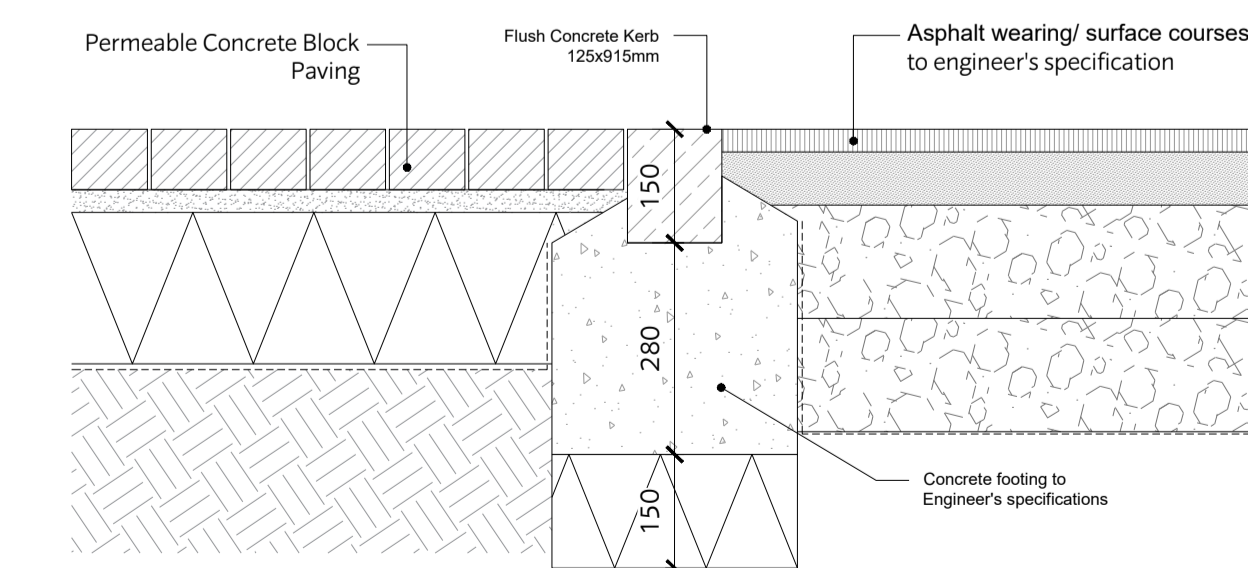
10 TYPICAL BOARDWALK SECTION  
Scale: 1:20



11 TYPICAL BOARDWALK SECTION - LOW LEVEL  
Scale: 1:20



12 TYPICAL COMPOSITE TIMBER DECKING  
Scale: 1:10



13 INTERFACE DETAIL/ FLUSH KERB DETAIL  
Scale: 1:10

This document should not be relied on or used in circumstances other than those for which it was prepared and for which Chris Blandford Associates was commissioned. Chris Blandford Associates accepts no responsibility for this document to any other party other than the person by whom it was commissioned.

P2	28/02/20	PK	Revised Reserved Matters Application
SO	08/11/19	MA	Stage 3 Issue
P1	06/09/19	SM	Issued For Planning
PO	23/08/19	WZ	Issued For Planning
Rev	Date	Drw	Revision or reason for Issue

**CHRIS BLANDFORD ASSOCIATES**  
landscape | environment | heritage  
The Print Rooms Studio 511 164/180 Union St Waterloo London SE1 0LH  
T +44 (0)20 7089 6480 E mail@cbastudios.com W www.cbastudios.com

Client  
**Castlefield International Limited**

Project Title  
**TEVERSHAM ROAD FULBOURN**

Drawing Series and Title  
**8000 SERIES  
Hard Landscape Outline Details**

Scale @ A1  
AS SHOWN  
Drawn  
MA  
Approved  
RB  
Date  
AUG 2019  
Drawing Status  
FOR PLANNING

Drawing number  
TRF-CBA-1-GF-M2-L-8000  
Revision  
P2